



BLE4 GLASS 5x20 fuses



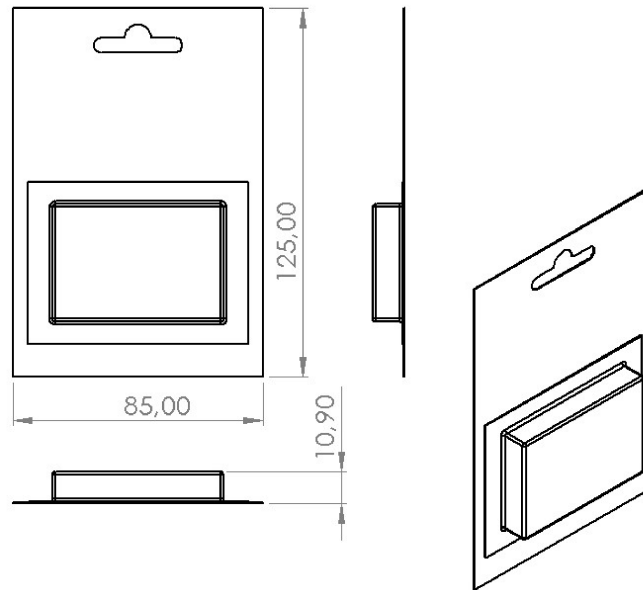
BLE5 GLASS 6,3x32 fuses



BLE6 CERAMIC fuses



BLE9 MICRO II fuses



ELED ref.	PRODUCTS	RATINGS
BLE4	GLASS 5x20 fuses	2 x 2A, 2 x 3,15A, 1 x 6,13A
BLE5	GLASS 6,3x32 fuses	2 x 10A, 2 x 15A, 1 x 25A
BLE6	CERAMIC fuses	2 x 5A, 3 x 8A, 2 x 16A, 2 x 25A
BLE9	MICRO II fuses	1 x 5A, 1 x 7,5A, 2 x 10A, 2 x 15A, 2 x 20A, 1 x 25A, 1 x 30A

UNLESS OTHERWISE SPECIFIED: DIMENSIONS ARE IN MILLIMETERS SURFACE FINISH: TOLERANCES: 0,2 LINEAR: ANGULAR:		FINISH:	DEBUR AND BREAK SHARP EDGES	DO NOT SCALE DRAWING	REVISION
				<b>ELED</b> <i>On the safe side</i>	
NAME	SIGNATURE	DATE	TITLE:		
DRAWN B.D.		2.2023	<b>BLISTER SMALL</b>		
CHK'D					
APPV'D					
MFG					
Q.A		MATERIAL:	DWG NO.	<b>BLISTER SMALL</b>	
		WEIGHT:	SCALE	A4	
				SHEET 1 OF 1	